

Stainless steel gate valve female threaded BSP, full bore to close all common fluids of 2nd group.
Rotating non-rising stem with inside screw.
PTFE packing on stem and PTFE bonnet gasket.



Lloyd's
Register
PED/2014/68/UE



Size : DN1/4" to DN2"
Connection: Female BSP
Min Temperature : -20°C
Max Temperature : +180°C
Max Pressure : 16 Bars
Specifications : Rotating non rising stem
Inside screw stem
Full bore

Materials : Stainless steel EN 1.4408

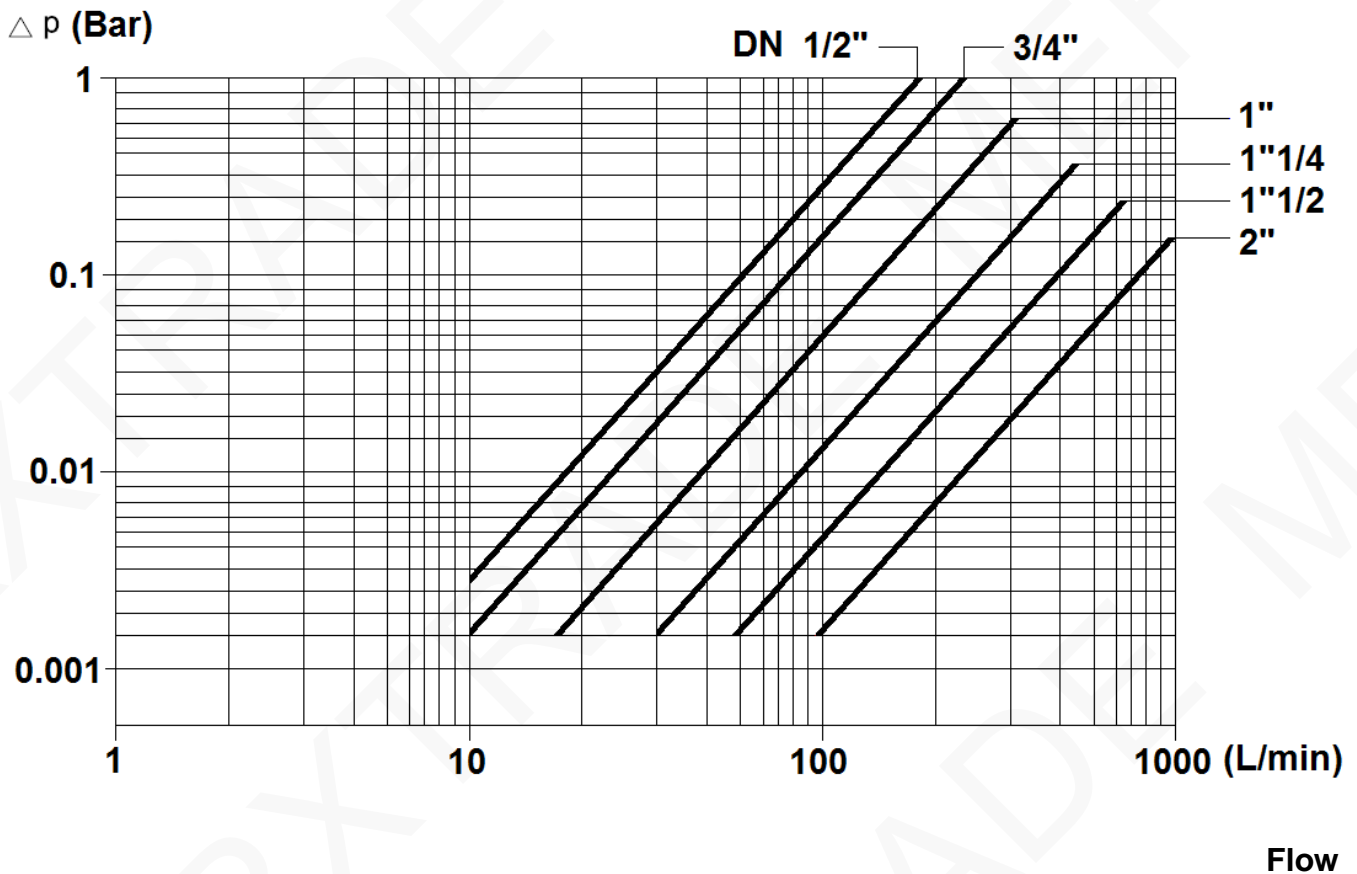
SPECIFICATIONS :

- Full bore
- Rotating non rising stem
- Inside screw stem
- Screwed bonnet
- Single wedge
- Female / Female BSP cylindrical
- PTFE packing

USE :

- For all common fluids of 2nd group
- Min and max Temperature Ts : - 20°C to + 180°C
- Max Pressure Ps : 16 bars

HEAD LOSS GRAPH :



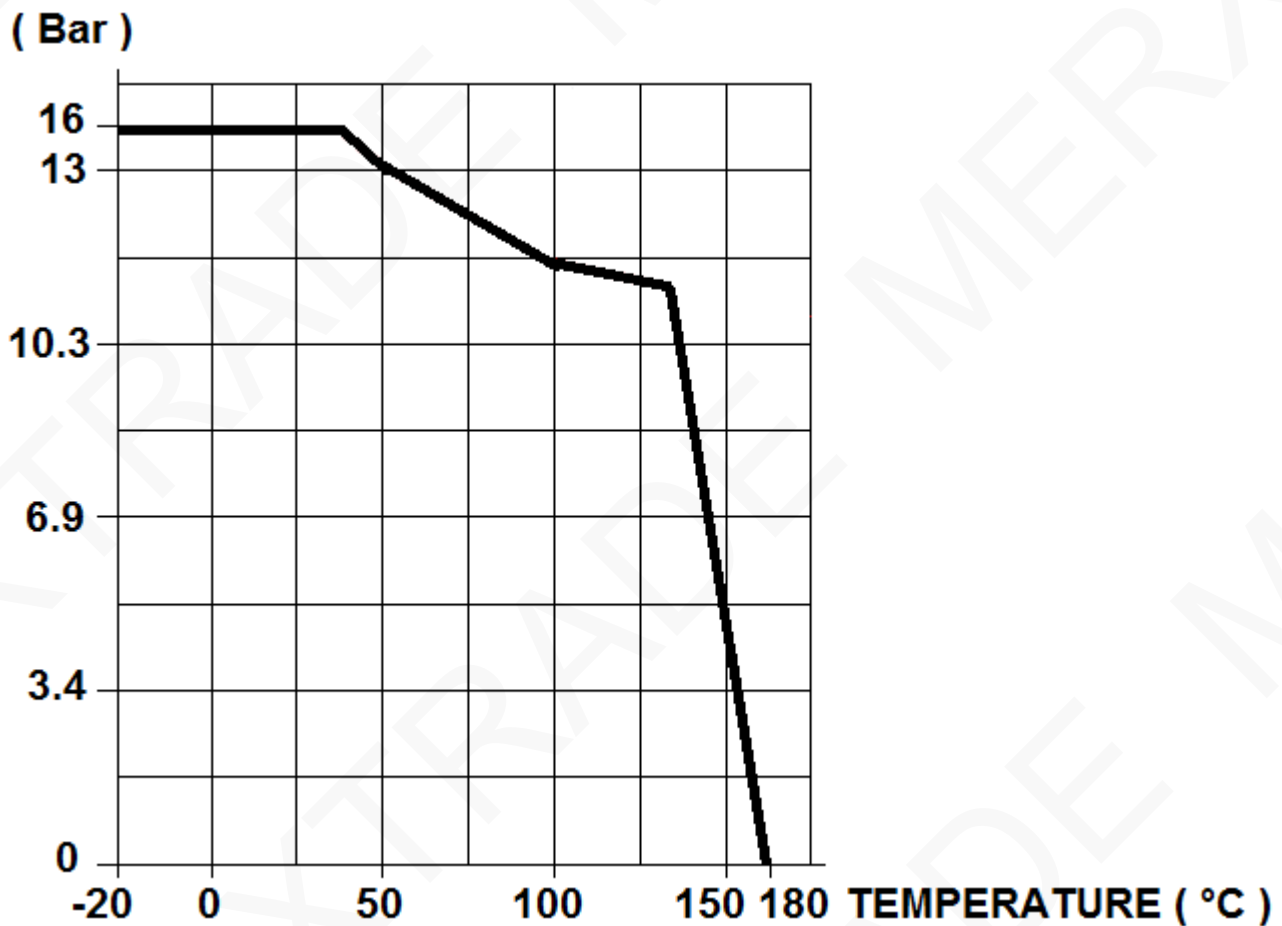
FLOW COEFFICIENT Kvs (M³ / h) :

DN	1/2"	3/4"	1"	1"1/4	1"1/2	2"
Kvs (m ³ /h)	19.18	35.43	57.72	96.69	154.63	254

NUMBER OF TURNS FOR CLOSING OR OPENING :

DN	1/2"	3/4"	1"	1"1/4	1"1/2	2"
Nb of turns	7.2	9.8	12.5	14.5	15.8	19.7

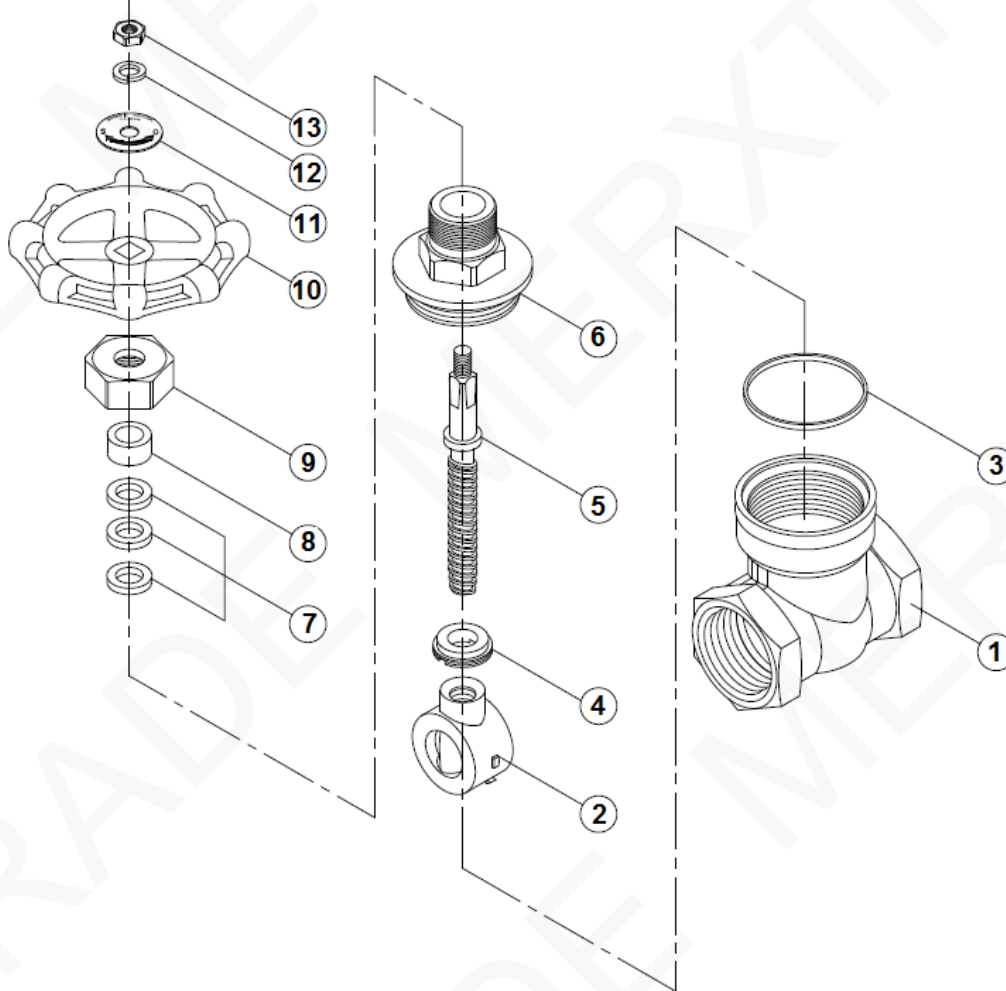
PRESSURE / TEMPERATURE GRAPH (STEAM EXCLUDED):



RANGE :

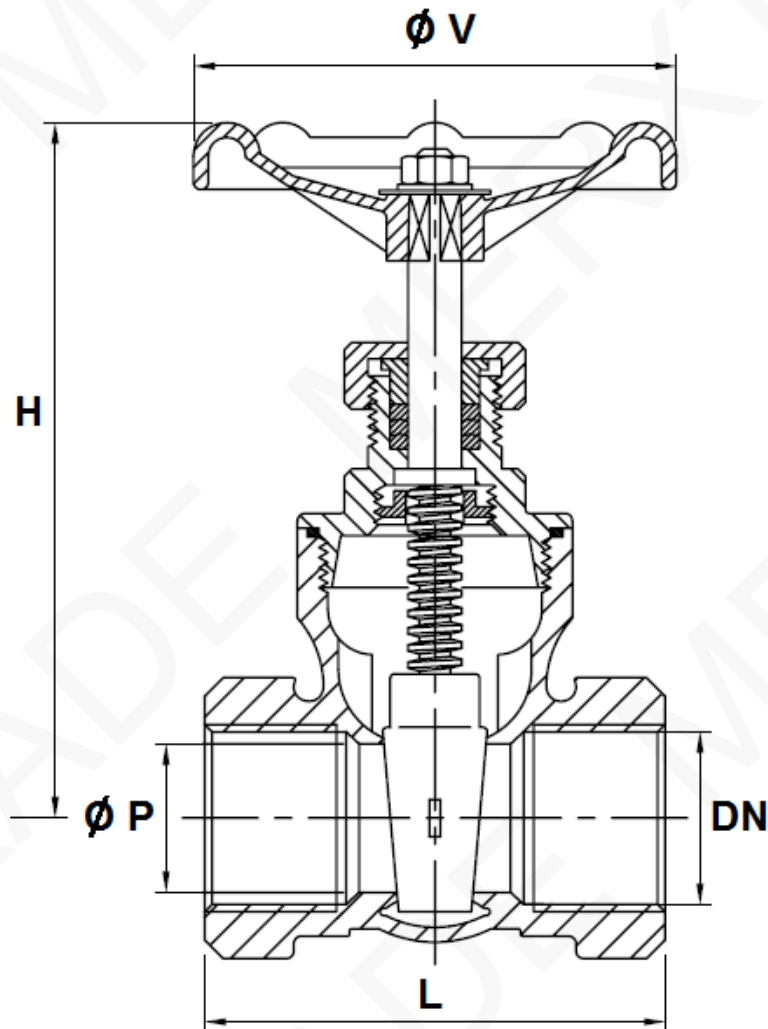
- Stainless steel gate Valve Female / female threaded BSP cylindrical Ref. 106 from DN 1/2" to DN 2"

MATERIALS :



Item	Designation	Materials
1	Body	EN 1.4408
2	Wedge	
3	Body gasket	PTFE
4	Nut	AISI 304
5	Stem	AISI 316
6	Bonnet	EN 1.4408
7	Packing	PTFE
8	Gland follower	AISI 304
9	Packing nut	AISI 316
10	Handwheel	Zamak
11	ID plate	Aluminium
12	Handwheel washer	AISI 304
13	Handwheel nut	

SIZE (in mm) :



DN	1/2"	3/4"	1"	1"1/4	1"1/2	2"
Ø P	15	20	25	32	40	50
L	55	60.5	65.5	76.5	85.5	95.5
H	92	97	108.5	123.5	146	162
Ø V	70	70	80	80	90	100
Weight (in Kg)	0.44	0.57	0.74	1.12	1.55	2.25
Ref.	106004	106005	106006	106007	106008	106009

STANDARDS :

- Manufacturer certified ISO 9001 :2015
- DIRECTIVE 2014/68/UE : CE N° 0038
Risk Category III module H
- Pressure tests according to EN 12266-1, Rate A
- Threaded female / female BSP cylindrical according to ISO 228/1

ADVICE : Our opinion and our advice are not guaranteed and MXT shall not be liable for the consequences of damages. The customer must check the right choice of the products with the real service conditions.